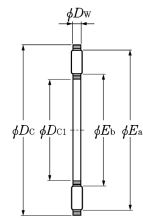




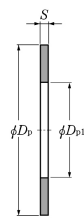
**Thrust Needle Roller Bearings:**

Thrust Needle Roller Bearing consists of an axial cage with needle rollers. This is a bearing capable of supporting one-way axial load. Furthermore, this bearing can be used without rolling bearing ring, where the heat-treated and ground bearing mount surface can be used as the raceway surface.

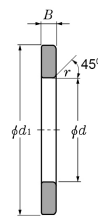
Suffix and Corresponding Description for Thrust Needle Roller Bearing	
Suffix	Description of Suffix
TV	Polyamide Resin Cage
No Symbol	Steel Cage
AA	Aluminum Alloy Cage
P6	JIS Class 6
P5	JIS Class 5
P4	JIS Class 4



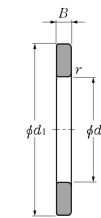
Type AXK  
(Thrust Needle Roller  
and Cage Assembly)



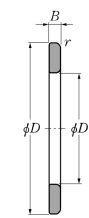
AS  
(washer)



LS  
(washer)

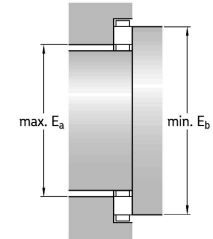
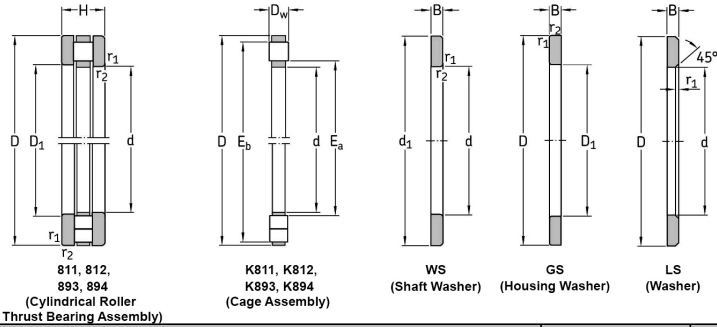


WS  
(Shaft Washer)

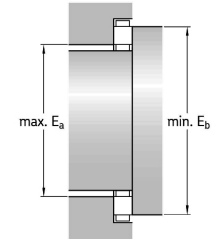
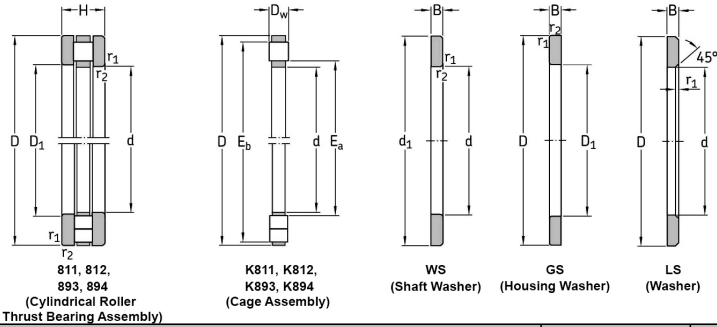


GS  
(Housing Washer)

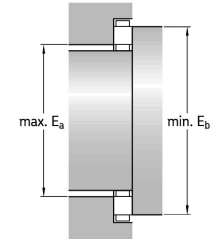
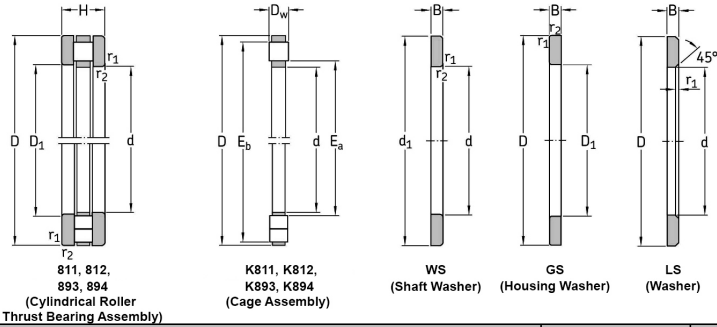
Boundary Dimensions												Basic Load Rating		Limiting speed		Bearing Designation					Reference Dimensions		Mass Approx		
(mm)												(KN)		(rpm)		Thrust Needle Roller and Cage Assembly	Washer	Washer	Shaft Washer	Housing Washer	E <sub>b</sub>	E <sub>a</sub>	(kg)		
D <sub>c1</sub>	D <sub>c</sub>	D <sub>w</sub>	D <sub>b</sub>	D <sub>p1</sub>	S	d	d <sub>1</sub>	D	D <sub>1</sub>	B	r <sub>1</sub>	Cr	Cor	Grease	Oil								AXK	AS	LS/ WS/ GS
10	24	2	24	10	1	10	24	24	10	2.75	0.3	9.15	25.30	3500	14000	AXK1024	AS1024	LS1024	WS81100	GS81100	12.3	21.7	0.0028	0.003	0.008
12	26	2	26	12	1	12	26	26	12	2.75	0.3	9.85	28.90	3300	13000	AXK1226	AS1226	LS1226	WS81101	GS81101	14.3	23.7	0.003	0.0033	0.009
15	28	2	28	15	1	15	28	28	16	2.75	0.3	11.30	36.00	2800	11000	AXK1528	AS1528	LS1528	WS81102	GS81102	17.2	26.5	0.0035	0.0035	0.01
17	30	2	30	17	1	17	30	30	18	2.75	0.3	11.90	39.50	2500	10000	AXK1730	AS1730	LS1730	WS81103	GS81103	19.2	28.5	0.004	0.0038	0.011
20	35	2	35	20	1	20	35	35	21	2.75	0.3	13.20	46.50	2100	8500	AXK2035	AS2035	LS2035	WS81104	GS81104	21.3	31.3	0.005	0.0051	0.014
25	42	2	42	25	1	25	42	42	26	3	0.6	14.60	58.00	1800	7000	AXK2542	AS2542	LS2542	WS81105	GS81105	29.5	39.4	0.007	0.007	0.021
30	47	2	47	30	1	30	47	47	32	3	0.6	16.30	69.50	1500	6000	AXK3047	AS3047	LS3047	WS81106	GS81106	34.5	44.4	0.008	0.008	0.025
35	52	2	52	35	1	35	52	52	37	3.5	0.6	17.80	81.50	1400	5500	AXK3552	AS3552	LS3552	WS81107	GS81107	39.5	49.4	0.01	0.0091	0.033
40	60	3	60	40	1	40	60	60	42	3.5	0.6	27.40	110.00	1200	4700	AXK4060	AS4060	LS4060	WS81108	GS81108	44.2	56.2	0.0185	0.0123	0.044
45	65	3	65	45	1	45	65	65	47	4	0.6	29.80	128.00	1100	4300	AXK4565	AS4565	LS4565	WS81109	GS81109	50.5	62.4	0.0205	0.0136	0.055
50	70	3	70	50	1	50	70	70	52	4	0.6	31.50	143.00	1000	3900	AXK5070	AS5070	LS5070	WS81110	GS81110	55.5	67.4	0.0235	0.0148	0.06
55	78	3	78	55	1	55	78	78	57	5	0.6	38.00	186.00	900	3500	AXK5578	AS5578	LS5578	WS81111	GS81111	61.0	74.9	0.0308	0.0189	0.095
60	85	3	85	60	1	60	85	85	62	4.75	1	44.50	234.00	800	3200	AXK6085	AS6085	LS6085	WS81112	GS81112	66.0	81.9	0.0390	0.0223	0.101
65	90	3	90	65	1	65	90	90	67	5.25	1	46.50	254.00	750	3000	AXK6590	AS6590	LS6590	WS81113	GS81113	71.0	86.9	0.04	0.0239	0.125
70	95	4	95	70	1	70	95	95	72	5.25	1	53.50	253.00	750	2900	AXK7095	AS7095	LS7095	WS81114	GS81114	75.5	91.4	0.06	0.0254	0.134
75	100	4	100	75	1	75	100	100	77	5.75	1	55.00	266.00	700	2700	AXK75100	AS75100	LS75100	WS81115	GS81115	80.5	96.4	0.061	0.027	0.155
80	105	4	105	80	1	80	105	105	82	5.75	1	56.50	279.00	650	2600	AXK80105	AS80105	LS80105	WS81116	GS81116	84.4	100.3	0.063	0.0284	0.163
85	110	4	110	85	1	85	110	110	87	5.75	1	57.50	291.00	600	2400	AXK85110	AS85110	LS85110	WS81117	GS81117	90.5	106.4	0.0668	0.0301	0.175
90	120	4	120	90	1	90	120	120	92	6.5	1	71.00	390.00	600	2300	AXK90120	AS90120	LS90120	WS81118	GS81118	96.5	116.4	0.086	0.0388	0.25
100	135	4	135	100	1	100	135	135	102	7	1	90.50	550.00	500	2000	AXK100135	AS100135	LS100135	WS81120	GS81120	107.5	131.4	0.112	0.0505	0.35
110	145	4	145	110	1	110	145	145	112	7	1	93.50	590.00	480	1900	AXK110145	AS110145	LS110145	WS81122	GS81122	115.5	139.4	0.122	0.0549	0.385
120	155	4	155	120	1	120	155	155	122	7	1	99.00	650.00	430	1700	AXK120155	AS120155	LS120155	WS81124	GS81124	125.5	149.4	0.131	0.0592	0.415
130	170	5	170	130	1	130	170	170	132	9	1	140.00	900.00	400	1600	AXK130170	AS130170	LS130170	WS81126	GS81126	136.0	164.0	0.205	0.074	0.663
140	180	5	180	140	1	140	178	180	142	9.5	1	145.00	960.00	380	1500	AXK140180	AS140180	LS140180	WS81128	GS81128	146.0	174.0	0.219	0.079	0.749
150	190	5	190	150	1	150	188	190	152	9.5	1	149.00	1020.00	350	1400	AXK150190	AS150190	LS150190	WS81130	GS81130	156.0	184.2	0.232	0.084	0.796
160	200	5	200	160	1	160	198	200	162	9.5	1	154.00	1070.00	330	1300	AXK160200	AS160200	LS160200	WS81132	GS81132	166.0	194.2	0.246	0.089	0.842



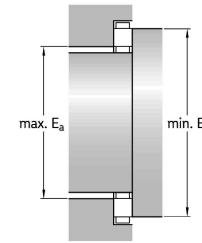
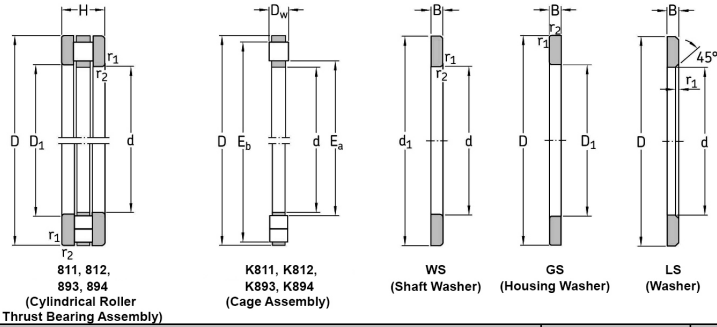
Boundary Dimensions								Basic Load Rating		Limiting Speed	Bearing Designation					Reference Dimensions		Mass Approx
mm								(KN)		(rpm)	Cylindrical Roller Thrust Bearing Assembly	Cage Assembly	Washer	Shaft Washer	Housing Washer	(mm)		(kg)
d	D	H	d <sub>1</sub>	D <sub>1</sub>	B	D <sub>w</sub>	r <sub>1,2</sub> (min)	Cr	Cor							E <sub>a</sub>	E <sub>b</sub>	
10	24	9	24	10	2.75	3.5	0.3	10.80	21.50	13000	81100	K81100	LS1024	WS81100	GS81100	21.3	13.5	0.0195
12	26	9	26	12	2.75	3.5	0.3	11.50	23.90	12000	81101	K81101	LS1226	WS81101	GS81101	23.3	15.5	0.022
15	28	9	28	16	2.75	3.5	0.3	11.20	27.00	8500	81102	K81102	LS1528	WS81102	GS81102	16	27	0.024
17	30	9	30	18	2.75	3.5	0.3	12.20	31.50	8500	81103	K81103	LS1730	WS81103	GS81103	18	29	0.027
20	35	10	35	21	2.75	4.5	0.3	18.60	48.00	7500	81104	K81104	LS2035	WS81104	GS81104	21	34	0.037
25	42	11	42	26	3	5	0.6	25.00	69.50	6300	81105	K81105	LS2542	WS81105	GS81105	26	41	0.053
30	47	11	47	32	3	5	0.6	27.00	78.00	6000	81106	K81106	LS3047	WS81106	GS81106	31	46	0.057
30	52	16	52	32	4.25	7.5	0.6	50.00	134.00	4800	81206	K81206	-	WS81206	GS81206	31	50	0.12
30	60	18	60	32	6.25	5.5	1	52.00	183.00	5300	89306	K89306	-	WS89306	GS89306	33	59	0.24
35	52	12	52	37	3.5	5	0.6	29.00	93.00	5600	81107	K81107	LS3552	WS81107	GS81107	36	51	0.073
35	62	18	62	37	5.25	7.5	1	62.00	190.00	4000	81207	K81207	-	WS81207	GS81207	39	58	0.21
35	68	20	68	37	7	6	1	62.00	220.00	4800	89307	K89307	-	WS89307	GS89307	38	67	0.34
40	60	13	60	42	3.5	6	0.6	43.00	137.00	5000	81108	K81108	LS4060	WS81108	GS81108	42	58	0.11
40	68	19	68	42	5	9	1	83.00	255.00	3800	81208	K81208	-	WS81208	GS81208	43	66	0.25
40	78	22	78	42	7.5	7	1	95.00	365.00	4000	89308	K89308	-	WS89308	GS89308	44	77	0.48
45	65	14	65	47	4	6	0.6	45.00	153.00	4500	81109	K81109	LS4565	WS81109	GS81109	47	63	0.13
45	73	20	73	47	5.5	9	1	83.00	255.00	3600	81209	K81209	-	WS81209	GS81209	48	70	0.29
45	85	24	85	47	8.25	7.5	1	108.00	425.00	3600	89309	K89309	-	WS89309	GS89309	49	83	0.62
50	70	14	70	52	4	6	0.6	47.50	166.00	4300	81110	K81110	LS5070	WS81110	GS81110	52	68	0.14
50	78	22	78	52	6.5	9	1	91.50	300.00	3400	81210	K81210	-	WS81210	GS81210	53	75	0.36
50	95	27	95	52	9.5	8	1.1	132.00	530.00	3200	89310	K89310	-	WS89310	GS89310	56	92	0.89
55	78	16	78	57	5	6	0.6	69.50	285.00	3800	81111	K81111	LS5578	WS81111	GS81111	57	77	0.23
55	90	25	90	57	7	11	1	122.00	390.00	2800	81211	K81211	-	WS81211	GS81211	59	85	0.57
55	105	30	105	57	10.5	9	1.1	143.00	570.00	3000	89311	K89311	-	WS89311	GS89311	61	103	1.2
60	85	17	85	62	4.75	7.5	1	80.00	300.00	3600	81112	K81112	LS6085	WS81112	GS81112	62	82	0.27
60	95	26	95	62	7.5	11	1	137.00	465.00	2800	81212	K81212	-	WS81212	GS81212	64	91	0.65
60	110	30	110	62	10.5	9	1.1	153.00	640.00	2800	89312	K89312	-	WS89312	GS89312	66	108	1.25
60	130	42	130	62	14	14	1.5	310.00	1180.00	2400	89412	K89412	-	WS89412	GS89412	65	126	2.8
65	90	18	90	67	5.25	7.5	1	83.00	320.00	3400	81113	K81113	LS6590	WS81113	GS81113	67	87	0.31
65	100	27	100	67	8	11	1	140.00	490.00	2600	81213	K81213	-	WS81213	GS81213	69	96	0.72



Boundary Dimensions								Basic Load Rating		Limiting Speed	Bearing Designation					Reference Dimensions		Mass Approx
mm								(KN)		(rpm)	Cylindrical Roller Thrust Bearing Assembly	Cage Assembly	Washer	Shaft Washer	Housing Washer	(mm)		(kg)
d	D	H	d <sub>1</sub>	D <sub>1</sub>	B	D <sub>w</sub>	r <sub>1,2</sub> (min)	Cr	Cor							E <sub>a</sub>	E <sub>b</sub>	
65	115	30	115	67	10.5	9	1.1	153.00	640.00	2800	89313	K89313	-	WS89313	GS89313	71	113	1.35
65	140	45	140	68	15	15	2	355.00	1370.00	2200	89413	K89413	-	WS89413	GS89413	70	135	3.5
70	95	18	95	72	5.25	7.5	1	86.50	345.00	3400	81114	K81114	LS7095	WS81114	GS81114	72	92	0.33
70	105	27	105	72	8	11	1	146.00	530.00	2600	81214	K81214	-	WS81214	GS81214	74	102	0.77
70	125	34	125	72	12	10	1.1	186.00	800.00	2600	89314	K89314	-	WS89314	GS89314	76	123	1.8
70	150	48	150	73	16	16	2	380.00	1460.00	2000	89414	K89414	-	WS89414	GS89414	76	147	4.2
75	100	19	100	77	5.75	7.5	1	83.00	335.00	3200	81115	K81115	LS75100	WS81115	GS81115	78	97	0.39
75	110	27	110	77	8	11	1	137.00	490.00	2400	81215	K81215	-	WS81215	GS81215	79	106	0.8
75	135	36	135	77	12.5	11	1.5	228.00	965.00	2400	89315	K89315	-	WS89315	GS89315	81	132	2.25
75	160	51	160	78	17	17	2	400.00	1530.00	1900	89415	K89415	-	WS89415	GS89415	82	156	5.95
80	105	19	105	82	5.75	7.5	1	81.50	335.00	3000	81116	K81116	LS80105	WS81116	GS81116	83	102	0.4
80	115	28	115	82	8.5	11	1	160.00	610.00	2400	81216	K81216	-	WS81216	GS81216	84	112	0.9
80	140	36	140	82	12.5	11	1.5	240.00	1060.00	2400	89316	K89316	-	WS89316	GS89316	86	137	2.35
80	170	54	170	83	18	18	2.1	440.00	1730.00	1800	89416	K89416	-	WS89416	GS89416	88	165	7.05
85	110	19	110	87	5.75	7.5	1	88.00	365.00	3000	81117	K81117	LS85110	WS81117	GS81117	87	108	0.42
85	125	31	125	88	9.5	12	1	170.00	640.00	2200	81217	K81217	-	WS81217	GS81217	90	119	1.2
85	150	39	150	88	13.5	12	1.5	255.00	1100.00	2200	89317	K89317	-	WS89317	GS89317	93	146	3.4
85	180	58	180	88	19.5	19	2.1	490.00	1930.00	1700	89417	K89417	-	WS89417	GS89417	93	175	8.65
90	120	22	120	92	6.5	9	1	110.00	450.00	2600	81118	K81118	LS90120	WS81118	GS81118	93	117	0.62
90	135	35	135	93	10.5	14	1.1	232.00	865.00	2000	81218	K81218	-	WS81218	GS81218	95	129	1.75
90	155	39	155	93	13.5	12	1.5	265.00	1160.00	2000	89318	K89318	-	WS89318	GS89318	98	151	3.65
90	190	60	190	93	20	20	2.1	540.00	2120.00	1600	89418	K89418	-	WS89418	GS89418	99	185	9.95
100	135	25	135	102	7	11	1	156.00	630.00	2400	81120	K81120	LS100135	WS81120	GS81120	104	131	0.95
100	150	38	150	103	11.5	15	1.1	270.00	1060.00	1800	81220	K81220	-	WS81220	GS81220	107	142	2.2
100	170	42	170	103	14.5	13	1.5	300.00	1370.00	1900	89320	K89320	-	WS89320	GS89320	109	166	4.55
100	210	67	210	103	22.5	22	3	680.00	2800.00	1400	89420	K89420	-	WS89420	GS89420	111	205	13.5
110	145	25	145	112	7	11	1	163.00	680.00	2200	81122	K81122	LS110145	WS81122	GS81122	114	141	1.05
110	160	38	160	113	11.5	15	1.1	260.00	1000.00	1700	81222	K81222	-	WS81222	GS81222	117	152	2.3
110	190	48	190	113	16.5	15	2	400.00	1830.00	1700	89322	K89322	-	WS89322	GS89322	120	185	6.7
110	230	73	230	113	24.5	24	3	800.00	3350.00	1300	89422	K89422	-	WS89422	GS89422	121	223	17.5



Boundary Dimensions								Basic Load Rating		Limiting Speed	Bearing Designation					Reference Dimensions		Mass Approx
mm								(KN)		(rpm)	Cylindrical Roller Thrust Bearing Assembly	Cage Assembly	Washer	Shaft Washer	Housing Washer	(mm)		(kg)
d	D	H	d <sub>1</sub>	D <sub>1</sub>	B	D <sub>w</sub>	r <sub>1,2</sub> (min)	Cr	Cor							E <sub>a</sub>	E <sub>b</sub>	
120	155	25	155	122	7	11	1	170.00	735.00	2200	81124	K81124	LS120155	WS81124	GS81124	124	151	1.1
120	170	39	170	123	12	15	1.1	255.00	1000.00	1600	81224	K81224	-	WS81224	GS81224	127	162	2.55
120	210	54	210	123	18.5	17	2.1	510.00	2360.00	1500	89324	K89324	-	WS89324	GS89324	132	205	9.45
120	250	78	250	123	26	26	4	930.00	3900.00	1200	89424	K89424	-	WS89424	GS89424	133	243	22
130	170	30	170	132	9	12	1	200.00	880.00	1900	81126	K81126	LS130170	WS81126	GS81126	135	165	1.65
130	190	45	187	133	13	19	1.5	380.00	1460.00	1400	81226	K81226	-	WS81226	GS81226	137	181	4
130	225	58	225	134	20	18	2.1	560.00	2650.00	1400	89326	K89326	-	WS89326	GS89326	141	219	11
130	270	85	270	134	28.5	28	4	1060.00	4500.00	1100	89426	K89426	-	WS89426	GS89426	145	263	27
140	180	31	178	142	9.5	12	1	208.00	930.00	1800	81128	K81128	LS140180	WS81128	GS81128	145	175	1.9
140	200	46	197	143	13.5	19	1.5	360.00	1400.00	1400	81228	K81228	-	WS81228	GS81228	150	191	5.05
140	240	60	240	144	20.5	19	2.1	640.00	3100.00	1300	89328	K89328	-	WS89328	GS89328	152	234	12.5
140	280	85	280	144	28.5	28	4	1100.00	4800.00	1100	89428	K89428	-	WS89428	GS89428	155	273	29.5
150	190	31	188	152	9.5	12	1	212.00	1000.00	1700	81130	K81130	LS150190	WS81130	GS81130	155	185	2.2
150	215	50	212	153	14.5	21	1.5	465.00	1900.00	1300	81230	K81230	-	WS81230	GS81230	162	210	7.2
150	250	60	250	154	20.5	19	2.1	670.00	3250.00	1300	89330	K89330	-	WS89330	GS89330	162	244	14
150	300	90	300	154	30	30	4	1250.00	5600.00	1000	89430	K89430	-	WS89430	GS89430	167	293	35.5
160	200	31	198	162	9.5	12	1	216.00	1020.00	1700	81132	K81132	LS160200	WS81132	GS81132	165	195	2.1
160	225	51	220	163	15	21	1.5	480.00	2000.00	1200	81232	K81232	-	WS81232	GS81232	171	219	7.6
160	320	95	320	164	31.5	32	5	1430.00	6400.00	950	89432	K89432	-	WS89432	GS89432	179	313	42
170	215	34	213	172	10	14	1.1	285.00	1340.00	1600	81134	K81134	-	WS81134	GS81134	176	209	2.4
170	240	55	237	173	16.5	22	1.5	540.00	2280.00	1100	81234	K81234	-	WS81234	GS81234	184	233	9.3
170	340	103	340	174	34.5	34	5	1600.00	7200.00	850	89434	K89434	-	WS89434	GS89434	191	333	52
180	225	34	222	183	10	14	1.1	270.00	1270.00	1500	81136	K81136	-	WS81136	GS81136	185	219	3.7
180	250	56	247	183	17	22	1.5	550.00	2400.00	1100	81236	K81236	-	WS81236	GS81236	194	243	9.95
180	360	109	360	184	36.5	36	5	1760.00	8000.00	800	89436	K89436	-	WS89436	GS89436	200	351	60
190	240	37	237	193	11	15	1.1	310.00	1460.00	1400	81138	K81138	-	WS81138	GS81138	197	233	4.75
190	270	62	267	194	18	26	2	695.00	2900.00	1000	81238	K81238	-	WS81238	GS81238	205	263	12
190	380	115	380	195	38.5	38	5	1960.00	9000.00	750	89438	K89438	-	WS89438	GS89438	212	371	65.5
200	250	37	250	203	11	15	1.1	310.00	1500.00	1400	81140	K81140	-	WS81140	GS81140	206	243	4.95
200	280	62	277	204	18	26	2	720.00	3100.00	1000	81240	K81240	-	WS81240	GS81240	215	273	13.5



Boundary Dimensions								Basic Load Rating		Limiting Speed
mm								(KN)		(rpm)
d	D	H	d <sub>1</sub>	D <sub>1</sub>	B	D <sub>w</sub>	r <sub>1,2</sub> (min)	Cr	Cor	
200	400	122	400	205	41	40	5	2160.00	10000.00	700
220	270	37	267	223	11	15	1.1	335.00	1700.00	1300
220	300	63	297	224	18.5	26	2	750.00	3350.00	950
220	420	122	420	225	41	40	6	2320.00	11200.00	700
240	300	45	297	243	13.5	18	1.5	475.00	2450.00	1100
240	340	78	335	244	23	32	2.1	1100.00	4900.00	800
260	320	45	317	263	13.5	18	1.5	490.00	2600.00	1100
260	360	79	355	264	23.5	32	2.1	1140.00	5300.00	750
280	350	53	347	283	15.5	22	1.5	680.00	3550.00	950
280	380	80	375	284	24	32	2.1	1160.00	5500.00	750
300	380	62	376	304	18.5	25	2	850.00	4400.00	850
300	420	95	415	304	28.5	38	3	1530.00	7200.00	630
320	400	63	396	324	19	25	2	880.00	4650.00	800
320	440	95	435	325	28.5	38	3	1560.00	7500.00	600
340	420	64	416	344	19.5	25	2	900.00	4900.00	800
340	460	96	455	345	29	38	3	1630.00	8000.00	600
360	440	65	436	364	20	25	2	900.00	4900.00	750
360	500	110	495	365	32.5	45	4	2160.00	10400.00	530
380	460	65	456	384	20	25	2	930.00	5300.00	750
400	480	65	476	404	20	25	2	965.00	5600.00	700
420	500	65	495	424	20	25	2	980.00	5850.00	700
440	540	80	535	444	24	32	2.1	1430.00	8000.00	600
460	560	80	555	464	24	32	2.1	1460.00	8500.00	600
480	580	80	575	484	24	32	2.1	1460.00	8650.00	560
500	600	80	595	505	24	32	2.1	1560.00	9300.00	560
530	640	85	635	535	25.5	34	3	1730.00	10600.00	530
560	670	85	665	565	25.5	34	3	1760.00	11100.00	500
600	710	85	705	605	25.5	34	3	1800.00	11600.00	500
630	750	95	746	634	28.5	38	3	2160.00	13700.00	450

Bearing Designation					Reference Dimensions		Mass Approx
Cylindrical Roller Thrust Bearing Assembly	Cage Assembly	Washer	Shaft Washer	Housing Washer	(mm)		(kg)
					E <sub>a</sub>	E <sub>b</sub>	
89440	K89440	-	WS89440	GS89440	224	391	75
81144	K81144	-	WS81144	GS81144	226	263	5.2
81244	K81244	-	WS81244	GS81244	236	294	15
89444	K89444	-	WS89444	GS89444	244	411	84.5
81148	K81148	-	WS81148	GS81148	248	296	8.45
81248	K81248	-	WS81248	GS81248	263	333	22
81152	K81152	-	WS81152	GS81152	268	316	9.1
81252	K81252	-	WS81252	GS81252	281	351	27
81156	K81156	-	WS81156	GS81156	288	346	12.5
81256	K81256	-	WS81256	GS81256	301	371	30
81160	K81160	-	WS81160	GS81160	315	373	19.5
81260	K81260	-	WS81260	GS81260	329	412	43
81164	K81164	-	WS81164	GS81164	334	394	20.5
81264	K81264	-	-	-	348	434	42.5
81168	K81168	-	WS81168	GS81168	354	414	22.5
81268	-	-	-	-	367	452	47
81172	-	-	-	-	374	434	19.5
81272	-	-	-	-	393	492	65.5
81176	-	-	-	-	393	453	22
81180	-	-	-	-	413	473	23
81184	-	-	-	-	433	493	24
81188	-	-	-	-	459	533	39.5
81192	-	-	-	-	479	553	41
81196	-	-	-	-	500	573	43
811/500	-	-	-	-	519	592	44
811/530	-	-	-	-	554	632	55.5
811/560	-	-	-	-	584	662	58
811/600	-	-	-	-	624	702	62
811/630	-	-	-	-	650	732	80